

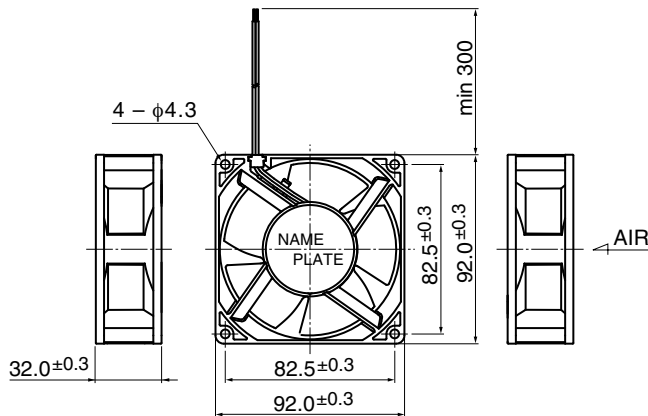
# 09232VA (3612VL)

# 92<sup>□</sup>X32<sup>L</sup>

## DC Axial Fan



### Outline



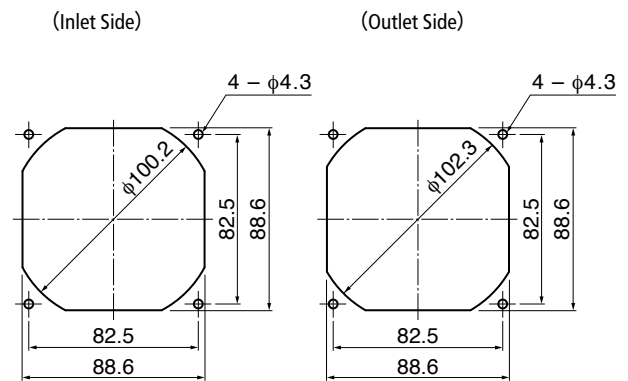
### General Specifications

Motor Protection	Auto Restart / Polarity Protection
Insulation Resistance	10MΩ or over with a DC500V Megger
Dielectric Withstand Voltage	AC700V 1s
Allowable Ambient Temperature Range	- 10°C ~ + 70°C (Operating) - 40°C ~ + 70°C (Storage) non-condensing environment

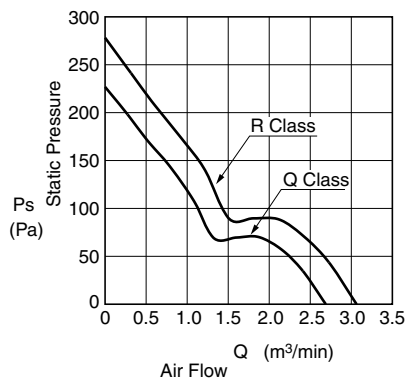
### Expected Life ※ Failure Rate: 10% (L10 Life)

60°C 40,000 (Hours)

### Panel Out-cuts



### Characteristic Curves



### Material

Casing	: Plastic (Black) UL94V-0
Impeller	: Plastic (Black) UL94V-0
Bearing	: Ball Bearing
Lead Wire	: UL3385 AWG24 + : Red, - : Black

Customize service for IP compatible type and Oil-proof type is available for this item. Please contact to our sales representative for more detail.

### Specifications

Model	Product No.	Rating Voltage	Operating Voltage	Current	Input Power	Speed	Max. Air Flow		Max. Static Pressure		Noise	Mass
		(V)	(V)				(m <sup>3</sup> /min) <sup>*1</sup>	(CFM) <sup>*1</sup>	(Pa)	(In H <sub>2</sub> O)		
09232VA-24Q-AAS-	0	24	10 ~ 26.4	0.35	8.40	6200	2.60	91.8	225.0	0.90	56.0	200
09232VA-24R-AAS-	0			0.50	12.00	7000	3.00	105.9	275.0	1.10	59.0	

Rotation: Clockwise as seen from the label side  
Airflow Outlet: Label side

\*1: Average Values in Free Air

## General Specifications

### Motor Protection:

Auto Restart/Polarity Protection

### Insulation Resistance:

10M  $\Omega$  or over with a DC500V Megger

### Dielectric Withstand Voltage: AC 700V 1s

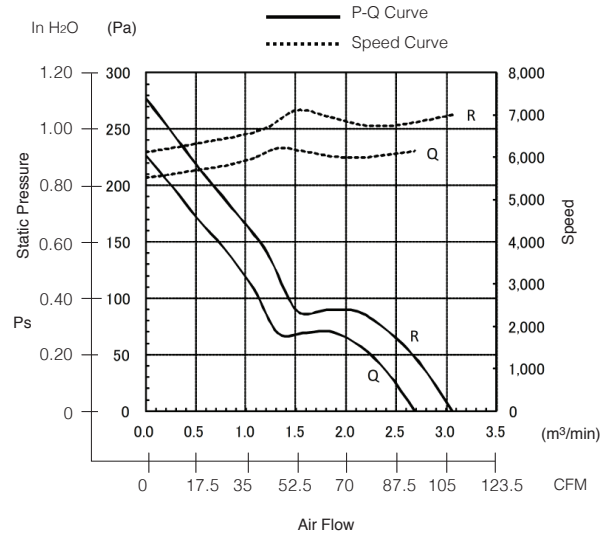
### Allowable Ambient Temperature Range:

-10°C ~ +70°C (Operating)

-40°C ~ +70°C (Storage)

### IP Code: IP69K

## Characteristic Curves



## Expected Life

25°C 100,000 Hours (L10)

## Material

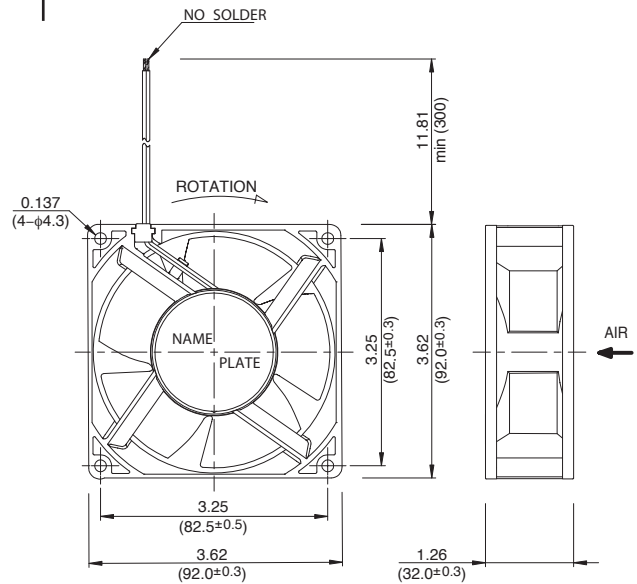
Casing : Plastic (Black) UL94V-0

Impeller : Plastic (Black) UL94V-0

Bearing : Ball Bearing

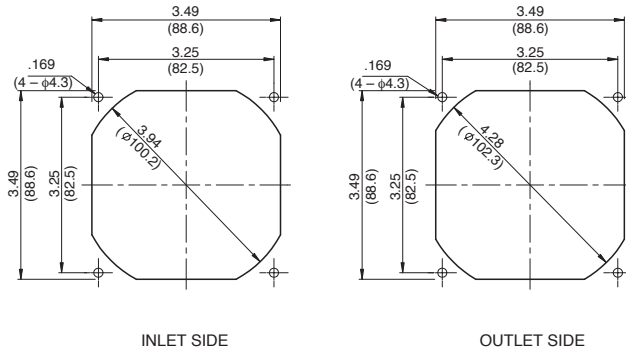
Lead Wire : UL3385, AWG24, +Red, -Black

## Outline



## Panel Cut-Outs

Units:  $\frac{\text{inch}}{\text{mm}}$



## Specifications

MODEL	Rated Voltage	Operating Voltage	Current	Input Power	Speed	Max. Air Flow		Max. Static Pressure		Noise	Mass
	(V)	(V)	(A) <sup>*1</sup>	(W) <sup>*1</sup>	(min <sup>-1</sup> ) <sup>*1</sup>	CFM <sup>*1</sup>	(m <sup>3</sup> /min) <sup>*1</sup>	in H <sub>2</sub> O	(Pa) <sup>*1</sup>	(dB) <sup>*1</sup>	(g)
09232VA-24Q-CAS-0	24	10.0 ~ 26.4	0.35	8.40	6200	91.82	2.60	.90	225	56.0	220
09232VA-24R-CAS-0	24	10.0 ~ 26.4	0.50	12.00	7000	105.94	3.00	1.10	275	59.0	220

Rotation: Clockwise

Airflow Outlet: Air Out Over Struts

\*1: Average Values in Free Air

Note: PWM/Locked Rotor/Tach Available